

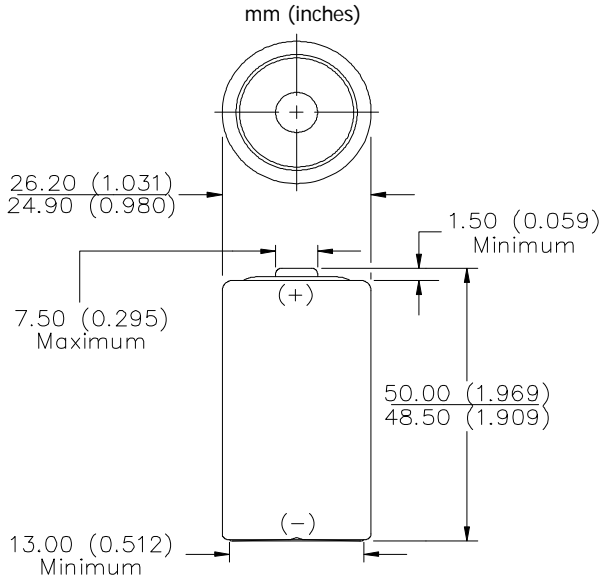
EVEREADY 1235

C

SUPER HEAVY DUTY

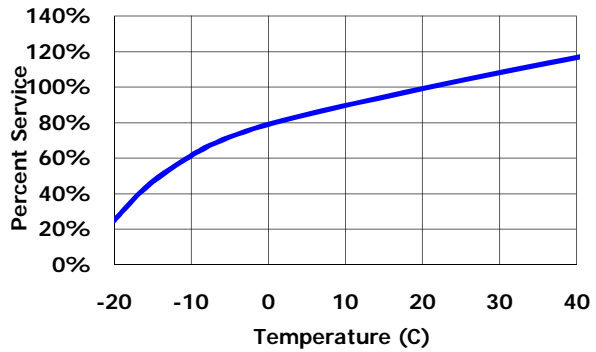


Industry Standard Dimensions

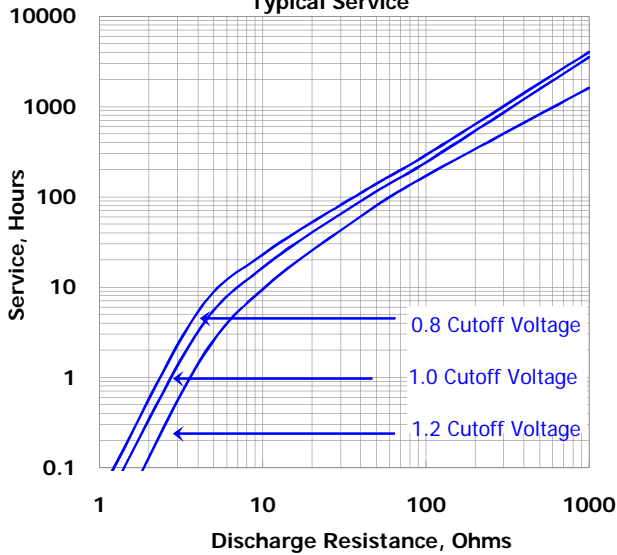


- Chemical System:** Zinc-Manganese Dioxide (Zn/MnO₂)
(No Added Mercury or Cadmium)
- Designation:** ANSI-14D, IEC-R14
- Battery Voltage:** 1.5 Volts
- Operating Temp:** -18°C to 55°C (0°F to 130°F)
- Average Weight:** 45.0 grams (1.6 oz.)
- Volume:** 25 cubic centimeters (1.5 cubic inch)
- Average Capacity:** 3800 mAh to 0.8 volts
(Rated at 25 mA continuous at 21°C)
- Cell:** One No. 35 (size "C")
- Jacket:** Metal

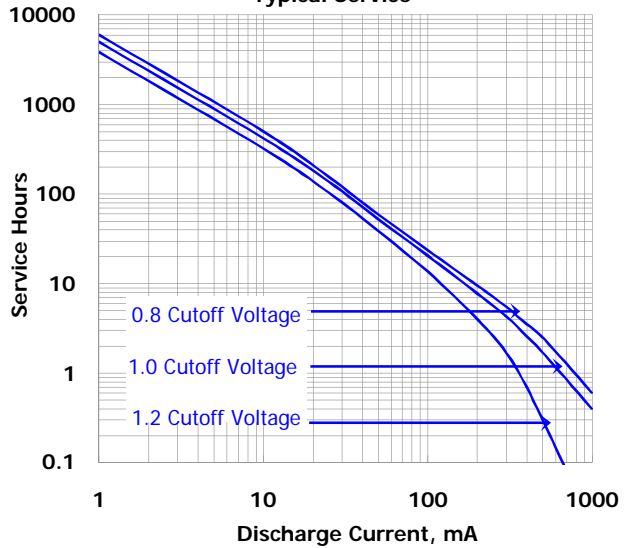
TYPICAL TEMPERATURE EFFECT
3.9 ohm - 4 hours/day to 0.75 volts



CONSTANT RESISTANCE PERFORMANCE
Typical Service



CONSTANT CURRENT DISCHARGE
Typical Service



Important Notice

This data sheet contains information specific to batteries manufactured at the time of its publication.
Contents herein do not constitute a warranty.